



**Pump Model - version**

K 20/41 T - N.3.- -

Company Name  
Reference  
Phone  
Fax  
E-mail

Receiver

From

Serial Number

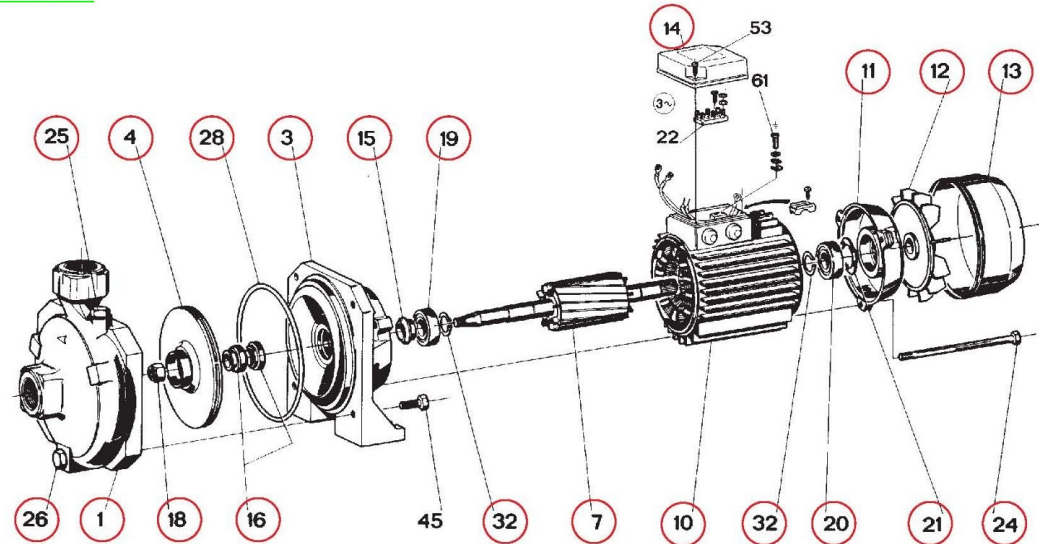
Attention: check the correspondence  
with the serial number of the pump.

K 20/41 T - N.3.- - @ 102110010\_c

K 20/41 T @ 102110010

Item	Q.ty	Item no.	Description	Unit pr.
1	1	148120110	PUMP BODY	
3	1	161450030	MOTOR/PUMP SUPPORT	
4	1	150760320	IMPELLER D.130 GFN2	
7	1	145000030	SHAFT WITH ROTOR	
10	1	130642040	MOTOR MEC63 H70 230/400/50T	
11	1	164030010	MEC63 D.35 MOTOR COVER	
12	1	160760230	FAN MEC63	
13	1	147120530	&KIT FAN COVER W/SCREW MEC63/01	
14	1	147120300	MEC 63-71 TERM.-BOX COV. W/GASK. IP55	
15	1	168360010	D.15 SPLASH GUARD MEC 63/71	
16	1	148620280	COMPLETE MECH.SEAL D.13	
18	1	002520633	HEX.NUT AUTOB.M8 INOX A4 UNI7474	
19	1	002310102	6202-2RSH D.15X35X11 BEARING	
20	1	002310102	6202-2RSH D.15X35X11 BEARING	
21	1	002570001	LMKAS D.35B THRUST WASHER	
24	3	167100000	MEC 63 M5 X 128 MOTOR TIE ROD	
25	1	168420000	PRIMING PLUG 1/8" BRASS	
26	1	168420000	PRIMING PLUG 1/8" BRASS	
28	1	002220367	OR-4525 132,94X 3,53 NBR	
32	1	002550001	WASHER SEEGER 15 E-UNI 7435	
84	1	147120220	CABLE GLAND PG11 OPEN ASS.Y	

NON INTERACTIVE



Project

Project ID

Created by

Created on  
05/03/2013

Last update  
05/03/2013